



Technical specification

Cold milling machine W 35 DC

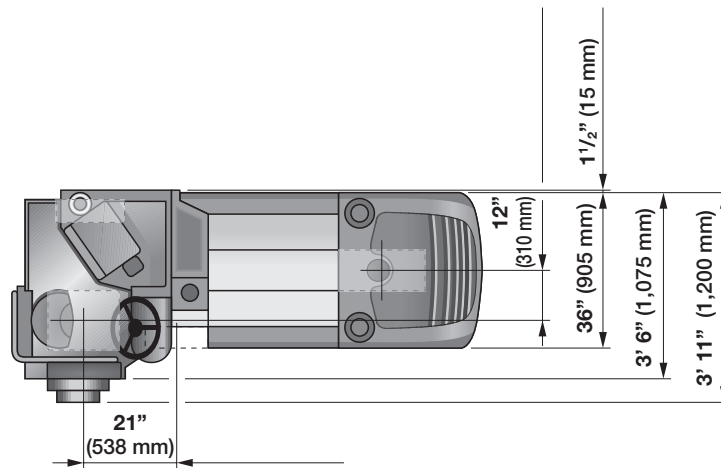
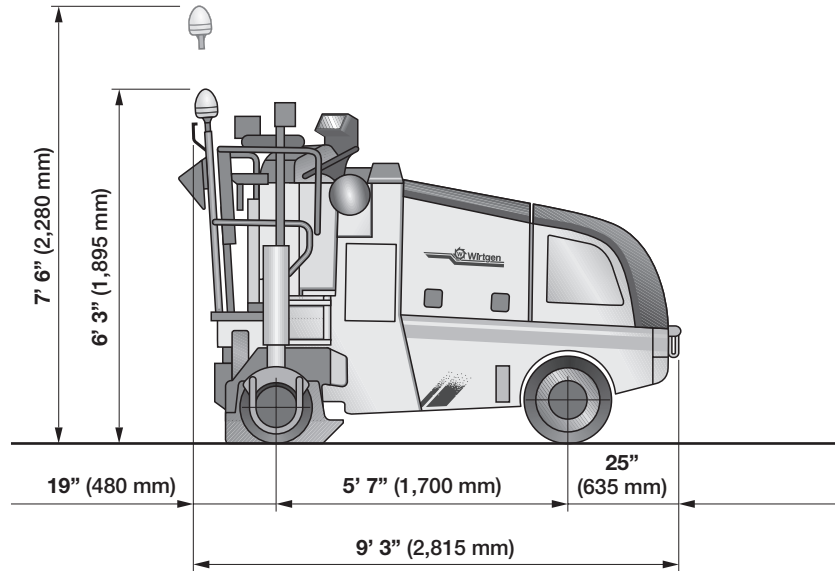


Technical specification

	Cold milling machine W 35 DC
Milling width max.	14" (350 mm) optionally 20" (500 mm)
Milling depth *1	0–4" (0–110 mm)
Milling drum	
Tool spacing	1/2" (12 mm)
Number of tools	36
Drum diameter with tools	18" (460 mm)
Engine	
Manufacturer	Deutz AG
Type	D 2011 L04W
Cooling	Water
Number of cylinders	4
Rated power at 2,300 min ⁻¹	42.8 kW/57.4 HP/58.2 PS
Displacement	220.82 in ³ (3,620 cm ³)
Fuel consumption, 1/1 load	3.3 gal (12.6 l/h)
Fuel consumption in field mix	2.2 gal (8.4 l/h)
Emission standards	EPA/CARB Tier III, EU-2004/26 EG Stage III a
Electrical system	24 V
Tank capacities	
Fuel tank	18.5 gal (70 l)
Hydraulic fluid tank	13.2 gal (50 l)
Water tank	72.6 gal (275 l)
Speed / gradeability	
Travel speed in milling gear, max.	0–82 ft/min (0–25 m/min)
Travel speed in travel gear, max.	0–3.7 mph (0–6 km/h)
Tires	
Type	Solid rubber
Tire size, front (dia. x W)	20" x 10" (500 x 250 mm)
Tire size, rear (dia. x W)	16" x 5" (405 x 130 mm)
Conveyor system	
Belt width	10" (250 mm)
Theoretical conveyor capacity	43.2 yd ³ /h (33 m ³ /h)
Shipping dimensions (L x W x H)	9' 3" x 3' 11" x 6' 3" (2,815 x 1,200 x 1,895 mm)

*1 = The maximum milling depth may deviate from the value indicated, due to tolerances and wear.

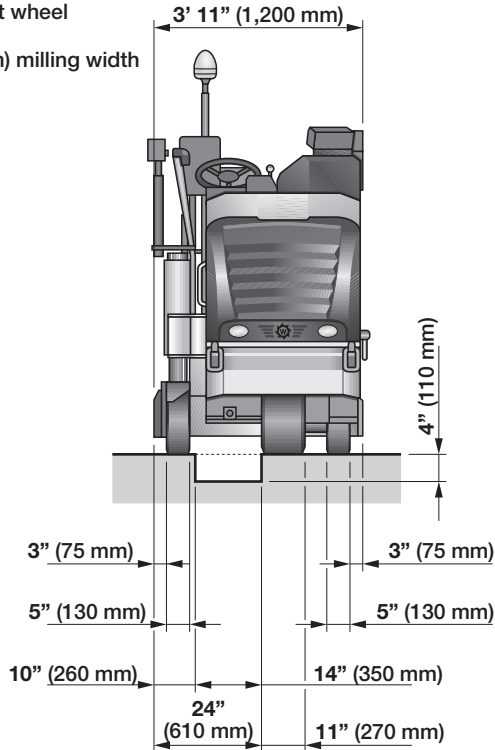
Dimensions



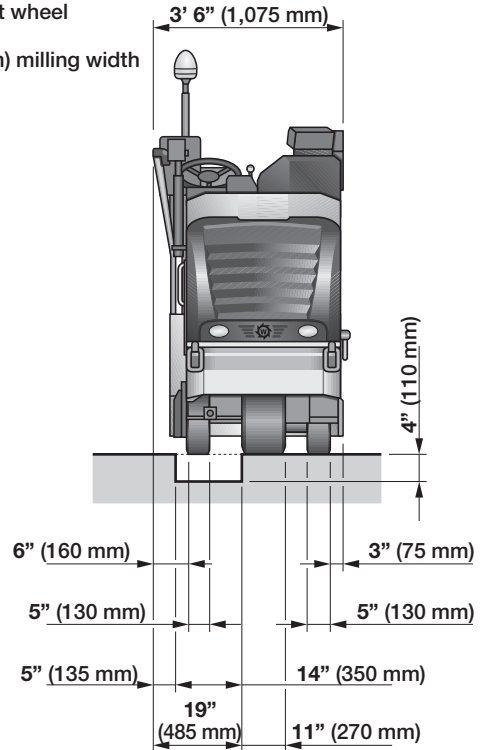
Front view of W 35 DC

Dimensions

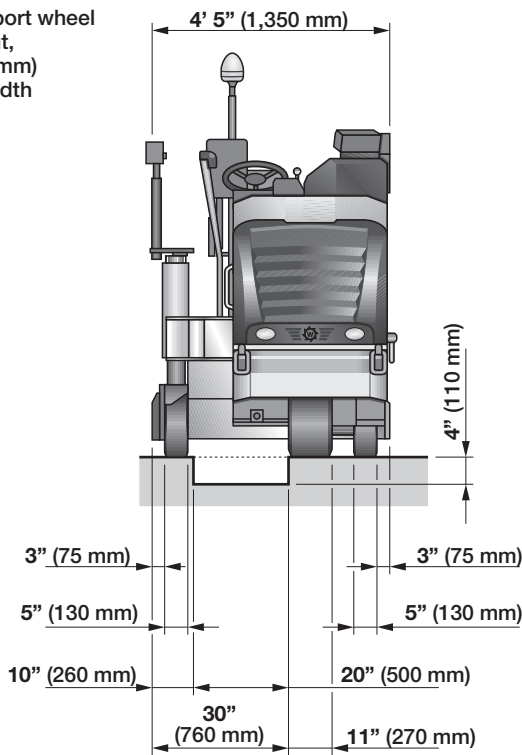
with support wheel
folded out,
14" (350 mm) milling width



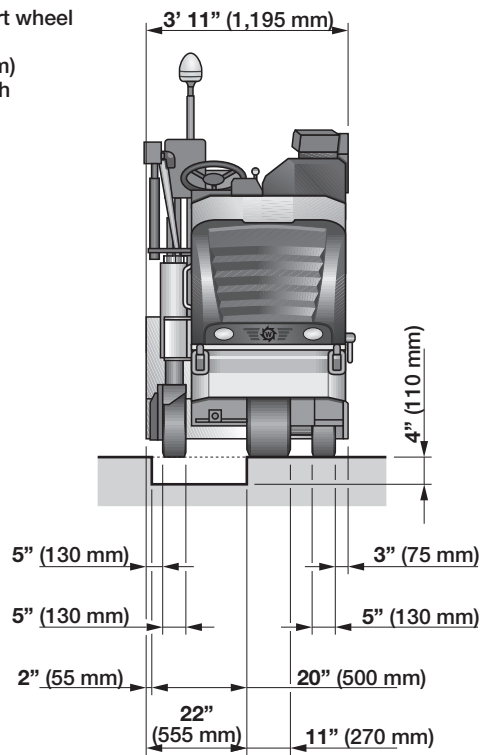
with support wheel
folded in,
14" (350 mm) milling width



with support wheel
folded out,
20" (500 mm)
milling width

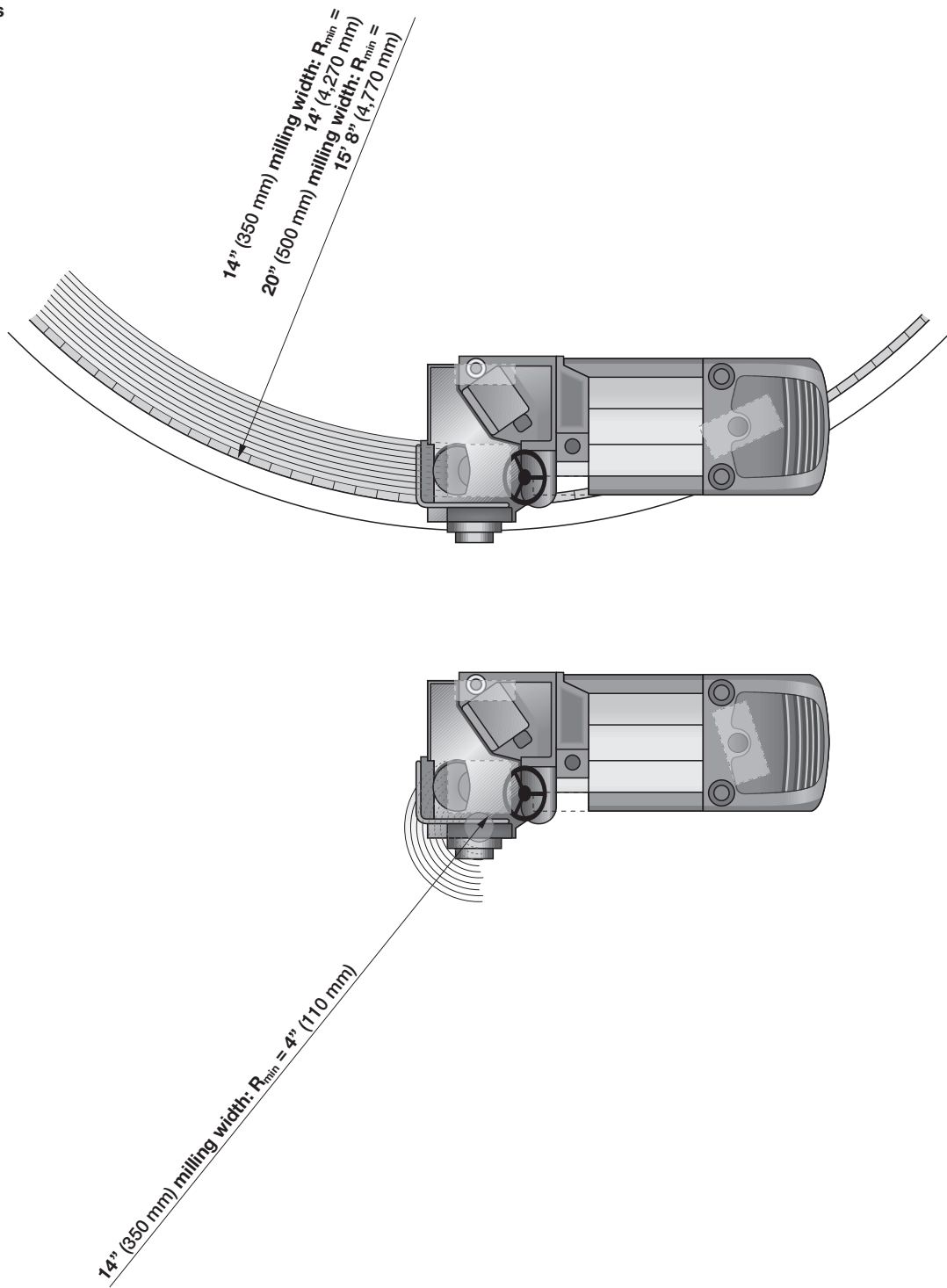


with support wheel
folded in,
20" (500 mm)
milling width



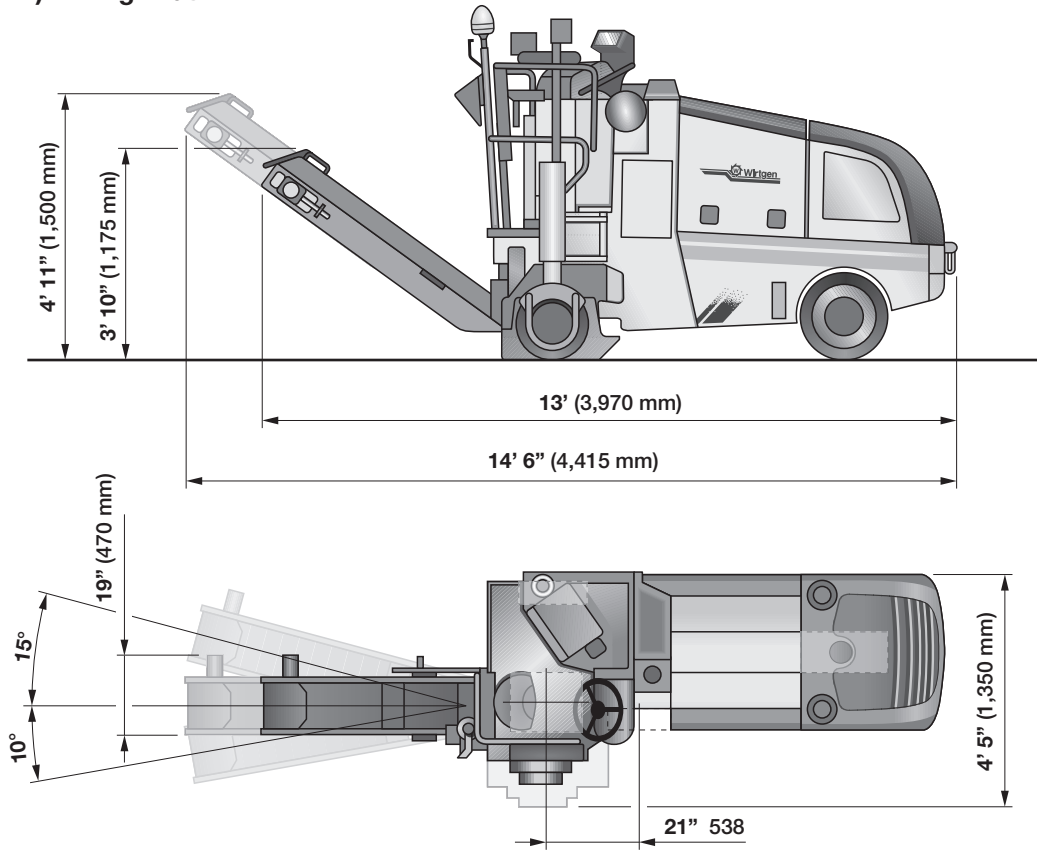
Milling radius of W 35 DC, 4" (110 mm) milling depth

Dimensions



Optional equipment: model with loading conveyor and optional milling drum assembly, 20" (500 mm) milling width

Dimensions



	Standard weights of cold milling machine W 35 DC with supplementary weight without conveyor
Own weight	9,369 lbs (4,250 daN (kg))
Operating weight, CE *	9,811 lbs (4,450 daN (kg))
Operating weight, max.	10,251 lbs (4,650 daN (kg))
	Added / Reduced weight
Optional loading conveyors	
Loading conveyor, short	220 lbs (100 daN (kg))
Loading conveyor, long	276 lbs (125 daN (kg))
Optional milling drum assemblies	
Milling drum assembly, milling width 20" (500 mm), milling depth 0-4" (0-110 mm), number of cutting tools: 36	331 lbs (150 daN (kg))
Supplementary weight	
Supplementary weight removed	- 2,976 lbs (- 1,350 daN (kg))

* = Weight of machine with half-full water tank, half-full fuel tank, driver (165.3 lbs/75 kg) and tools.

Equipment features of cold milling machine W 35 DC

Standard equipment:

Operator's platform

- ✔ Convenient control panel with practical switches
- ✔ Convenient access to operator's platform
- ✔ Vibration-damped operator's platform
- ✔ Height-adjustable steering wheel
- ✔ Lockable covers for control panels

Levelling control

- ✔ Mechanical milling depth display via clock left and right

Basic machine with engine

- ✔ Heavy-duty machine chassis
- ✔ Engine cowling with highly effective soundproofing
- ✔ Integrated 72.6 gal (275-litre) water tank
- ✔ Integrated 18.5 gal (70-litre) diesel tank
- ✔ Loading and lashing lugs integrated in chassis
- ✔ Standard painting in Wirtgen white with orange stripes

Milling drum assembly

- ✔ Milling drum housing for milling drums of up to 14" (350 mm) milling width
- ✔ Selectable water spray bar for tool cooling

Milling drums

- ✔ Milling drum, milling width 14" (350 mm), tool spacing 1/2" (12 mm)

Loading of milled material

- ✔ No loading of milled material
- ✔ Wide-opening drum door with automatic electric safety engine cut-off

Chassis and height adjustment

- ✔ Hydraulic all-wheel drive with hydraulic flow divider
- ✔ Two manually selectable milling and travel speeds
- ✔ Hydraulic spring brake
- ✔ Hydraulic height adjustment with two speed settings at the rear travel drive units
- ✔ Manually folding rear right support wheel

Miscellaneous

- ✔ Complete set of working lights for night work
- ✔ Lockable toolbox with comprehensive tool kit
- ✔ Additional storage compartment for cutting tool containers
- ✔ Towing device for releasing the spring brake
- ✔ Orange flashing beacon with mast
- ✔ Reversing horn
- ✔ Comprehensive safety package with emergency stop switch
- ✔ GS mark (Geprüfte Sicherheit = Tested Safety) by the German Employer's Liability Insurance Association, as well as CE mark
- ✔ Standard warranty of 12 months or 1,000 engine operating hours
- ✔ Machine commissioning by qualified personnel

Optional Equipment:

Operator's platform

- ✔ Folding stand-up seat

Levelling control

- ✔ Electric milling depth indication left and right via a digital display

Basic machine with engine

- ✔ Operation of cold milling machine with bio-degradable hydraulic fluid
- ✔ Special painting

Milling drum assembly

- ✔ Milling drum housing extension for milling drums of up to 20" (500 mm) milling width
- ✔ Connection to milling drum housing for dust extraction system

Milling drums

- ✔ Milling drum, milling width 20" (500 mm), tool spacing 1/2" (12 mm)
- ✔ Special milling drums with reduced milling widths
- ✔ Special milling drums for removing road markings
- ✔ Special milling drums for fine milling
- ✔ Side milling ring with cover, milling width 3" (80 mm), milling depth 7" (180 mm)
- ✔ Saw blades for cutting butt joints in asphalt, 9/16" (14 mm) or 1" (25 mm) wide

Loading of milled material

- ✔ One-stage, detachable conveyor system, 4' 3" (1,300 mm) long
- ✔ One-stage, detachable conveyor system, 6' 2" (1,870 mm) long

Miscellaneous

- ✔ Integrated supplementary weights, 2,976 lbs (1,350 kg)
- ✔ Additional hydraulic connection for ancillary hydraulic equipment
- ✔ Hydraulic hammer with 32.8 ft (10-m) hose
- ✔ Transport trailer for W 35 DC with a permissible total weight of up to 19,624 lbs (8.9 tons)



WIRTGEN AMERICA

Wirtgen America Inc.
6030 Dana Way · Nashville, TN 37013, USA
Phone: (615) 501-0600 · Fax: (615) 501-0691
Internet: www.wirtgenamerica.com